

Eicher Pro 6046
The 45.5 Ton GCW Tractor

TRUCKS AND BUSES

MAXIMUM LIFETIME PROFITABILITY

NON-STOP
TRIPS



M BOOSTER+
FOR A PLUS PERFORMANCE



PARTNERSHIP WITH THE VOLVO GROUP

Two leading players in the commercial vehicle business joined hands in 2008 with a convergent vision of driving modernization in commercial transportation in India and the developing world. Volvo Group, the world's leading manufacturer of trucks, buses, construction equipments and marine and industrial engines, brought its global expertise and world-class technology, while Eicher Motors brought its frugal engineering and deep knowledge of the developing markets. The mission of this joint venture- VE Commercial Vehicles Ltd. is to raise the standard of the commercial transportation industry and take it to a new professional level. Eicher, the flagship brand, is taking the lead in ushering in the future.

ALL NEW EICHER PRO SERIES

The Eicher Pro Series is a range of next-generation trucks and buses from 4.9 to 55 tons, designed to take the industry to a new PROfessional level. It brings together the Volvo Group's world-class technology and processes along with the frugal engineering and local expertise of Eicher. In keeping with the 'Go Pro' philosophy, the Eicher PRO Series PROMises to deliver higher PROfitability and more PROsperity to its customers. This is fulfilled, through best-in-class fuel efficiency, superior uptime and better overall vehicle performance



Eicher Pro 6000 Series

MAXIMUM LIFETIME PROFITABILITY

Eicher Pro 6000 Series has been designed and developed to provide unparalleled business advantage by maximizing product performance right through the life-cycle of the vehicle and minimizing the cost of operations. The Eicher Pro 6000 Series is a range of next-generation heavy-duty trucks - haulage, tractors and tippers ranging from 18.5 to 55 ton GVW. The new range is geared to revolutionize the levels of productivity in the heavy-duty trucking industry with the infusion of international engine technology and cabin design from the Volvo Group together with the intelligent features and enhanced support services. The contemporary exterior styling with the signature Pegasus grill design and sleek cabin interiors give the trucks a dynamic look.

MAXIMUM LIFETIME PROFITABILITY IS DELIVERED THROUGH:

- CLASS-LEADING PERFORMANCE
- BEST-IN-CLASS PRODUCTIVITY
- SUPERIOR UPTIME
- ENHANCED DRIVER EFFICIENCY
- EASY MAINTENANCE
- INTELLIGENT SYSTEMS



GLOBAL TECHNOLOGY MEETS FRUGAL ENGINEERING

The completely new chassis and assembly line have been built to balance high-technology with frugal engineering. The state-of-the-art manufacturing process, which includes a robotic cab weld shop, CED paint shop and a 100% hot test facility, ensures quality and reliability of international standards.

GLOBAL STANDARD MANUFACTURING PLANT

The Eicher Pro Series has been designed and developed in a modern and high-tech manufacturing facility in Pithampur, near Indore. The next-generation engine plant, built in collaboration with the Volvo Group, not only manufactures Euro III and IV heavy-duty engines but also supplies Euro VI engines internationally to the Volvo Group.



CLASS LEADING FUEL EFFICIENCY

HIGH PERFORMANCE. LOW FUEL CONSUMPTION.

VEDX8 BSIV ENGINE- BASED ON VOLVO GROUP'S GLOBAL PLATFORM

The next generation 7.7 litres CRS BSIV engine with SCR technology is powered with 250 HP and 950 Nm torque over a wide range of RPM for unmatched fuel efficiency, long life and superior performance in its class.

SELECTIVE CATALYTIC REDUCTION (SCR)

Advanced active emission control technology system that injects liquid reducing agent through a special catalyst into the exhaust stream of a diesel engine.

EMS 3.0 – VOLVO GROUP'S ENGINE MANAGEMENT SYSTEM

Volvo Group's EMS 3.0 has high processing capability and maintains optimum balance between load demand, fuel efficiency and emission control.

FUEL COACHING

An advanced human machine interface with symbolic indication and real-time guidance that helps driving in the most optimized RPM range (sweet spot) and improves fuel efficiency.



HIGHER PRODUCTIVITY

FASTER TURNAROUND. MORE TRIPS.

POWER PACKED DRIVELINE

Rigorously tested durable and efficient driveline delivers more power and higher torque which enables higher daily running. Overdrive gearbox with minimal RPM and torque disruptions, enables better pick-up, optimized gear-ratios ensures outstanding gradeability. All this together leads to faster turnaround and more trips.

FLAT TORQUE CURVE

The engine is designed to deliver peak torque at wide range of RPM (1100-1700 RPM) which facilitates better operations in all terrains. Availability of high torque at lower engine RPM leads to lesser gear shifts thereby enhancing fuel efficiency.



MBOOSTER+
FOR A PLUS PERFORMANCE

SUPERIOR UPTIME

HIGH RELIABILITY. HIGH DURABILITY.



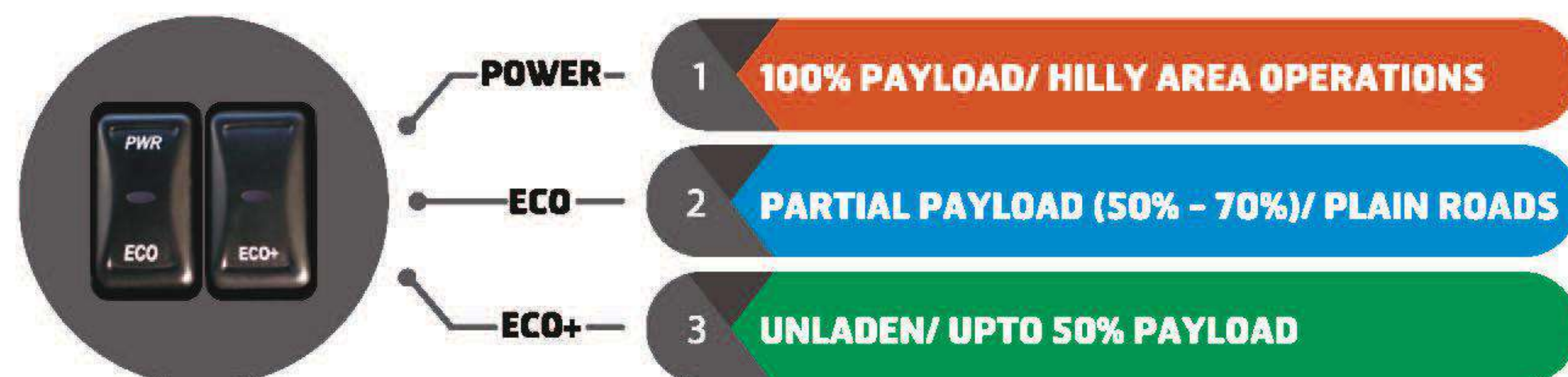
ADVANCED ON-BOARD DIAGNOSTICS

Advanced diagnostics system throws up fault indicators to the driver in the form of visual signals, messages and alarms to check for probable causes and take corrective action. Together with the fully equipped Eicher service network, preventive and corrective maintenance of the truck is ensured. Thus delivering superior uptime.

BUILT TO LAST – ROBUST AGGREGATES

Global technology coupled with advanced design and manufacturing processes ensure highly reliable and durable aggregates which translates into unmatched L10 life. The use of higher strength & lower weight composite materials drive maximum life from each component that makes sure the truck is on road and available for work.

GET BEST IN CLASS MILEAGE WITH DIFFERENT MODES



EASY MAINTENANCE

MORE EFFICIENCY. LESS MAINTENANCE.

Eicher Pro 6046 has been designed for easy maintenance with a focus on daily preventive and corrective maintenance

- The hydraulic cabin tilting procedure makes the inspection and maintenance jobs easier and also safer to perform
- All scheduled service intervals have been synchronized for every 60,000 kms
- Clutch wear indicator
- Lubricated for life (LFL) propeller shaft
- Air filter choke indication on instrument cluster
- Automatic belt tensioner
- Advanced on board diagnostics
- Engine Protection System (EPS)



ENHANCED DRIVER EFFICIENCY

EFFICIENT DRIVING. ENHANCED PRODUCTIVITY.



NEXT GENERATION CABIN

It's all about safety, comfort and space for the driver to drive extra distances. This next generation cabin is ergonomically designed and provides a healthy environment for fatigue-free long hour driving.

- 4-point suspension
- Tilt & telescopic power steering
- Instrument cluster with 4.5" large driver display
- Ergonomic dashboard
- 6-way adjustable seat ensures high driving comfort
- 3-Point ELR seat belt with seat belt reminder

CRUISE CONTROL

Provides fatigue-free driving experience when driving on long routes and helps the driver operate in optimized RPM range for a longer time.

INTELLIGENT SYSTEMS

SYSTEM THAT KEEPS YOU IN CONTROL.

INTELLIGENT DRIVER INFORMATION SYSTEM

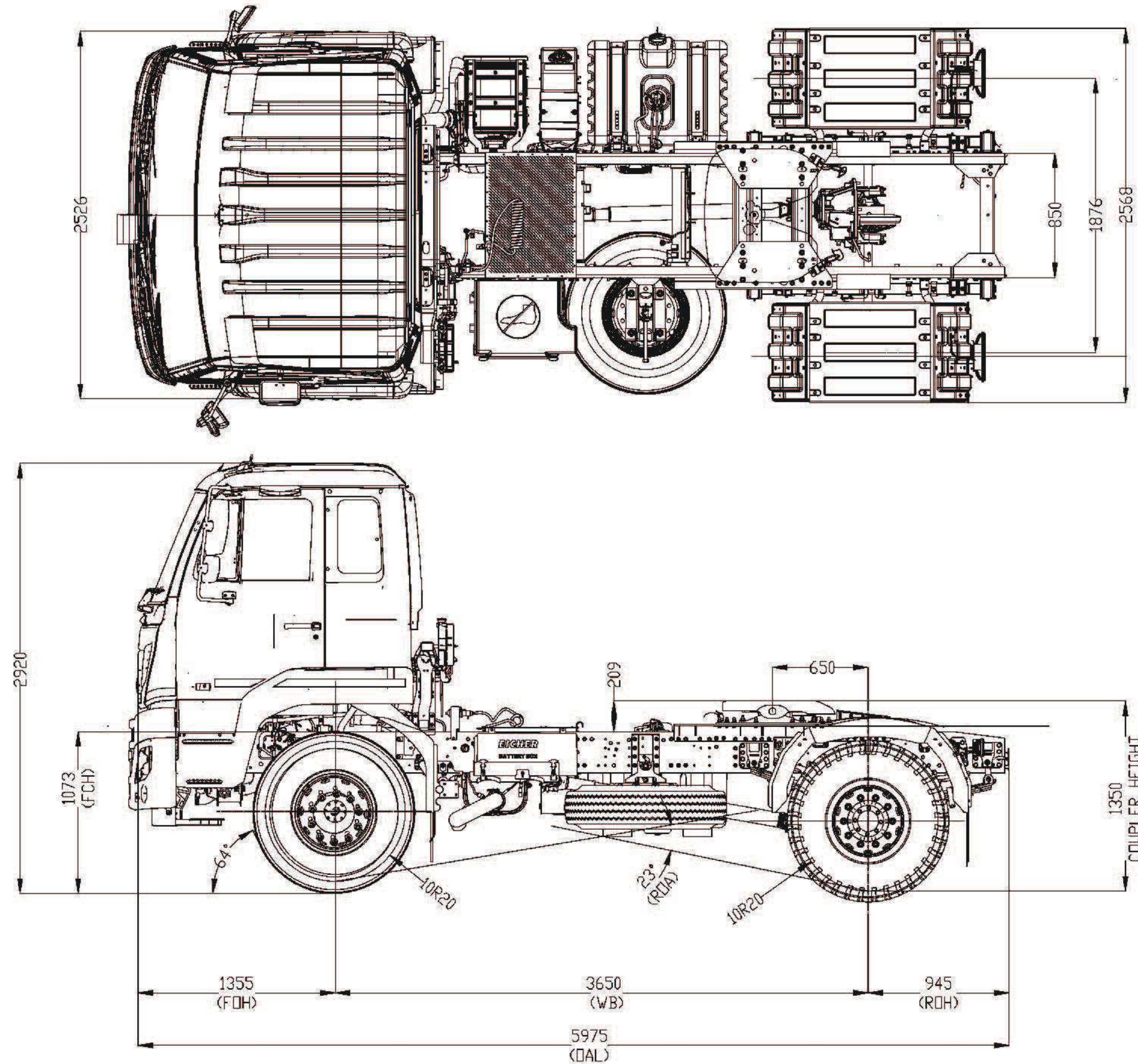
The IDIS provides the information to the driver on truck operational parameters, fuel consumption and advanced diagnostics. The information is relayed through tell-tale icons and audible alarms which the driver can easily understand and process. This ensures safe and efficient driving with preventive vehicle maintenance leading to minimum driver interruptions. Detailed fuel data, including instantaneous fuel value, average fuel consumption and distance to empty are also shown. Coupled with fuel coaching, this ensures economical driving practices.

ENGINE PROTECTION SYSTEM

The engine management system helps in engine protection from low oil pressure and high coolant temp. Buzzer operation coupled with exhaust brake activation helps in prevention of engine overrunning thus ensuring higher engine life.

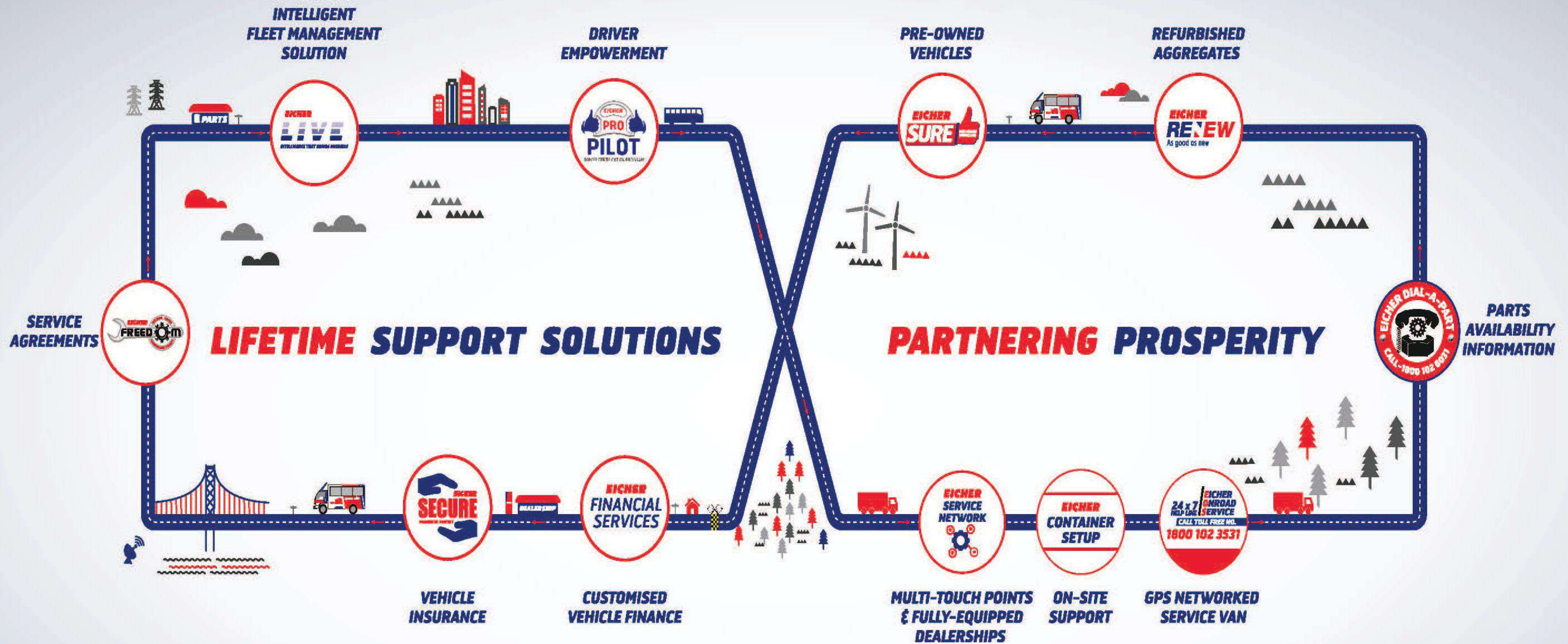


TRUCK LINE DRAWING



SPECIFICATIONS:

Model	Eicher Pro 6046
GCW	45500 Kgs
Engine Type	VEDX8 BSIV 7.7 Ltrs
Max Power	250 HP@2200 rpm
Torque	950 Nm@1100-1700 rpm
Clutch Type	Pull type, booster assisted
Clutch Dia	430 mm
Gearbox Model	ZF,1110 TD 9S DD
Rear Axle Type	ETB 458 mm, fully floating banjo type
Final Drive Ratio	4.88
Steering	Adjustable Tilt & Telescopic, hydraulic power assisted
Chassis Type	High tensile strength DOMEX 650 steel long member with cross member of BSK46
Dimension	285x76x7 mm with 5 mm stiffener
Front Suspension	Semi elliptical, laminated leaf springs, hydraulic type double acting shock absorber
Rear Suspension	Semi elliptical, laminated leaf springs
Brakes	Dual circuit S-cam air brake with ABS & E-APU
PTO	Provision available for tip trailer variant
Max Speed	80 kmph
Max Gradeability	23%
Wheels & Tyres	8x20/11.00R20-16PR
5th Wheel Coupling	2" SAF
Fuel Tank	380 litres with high strength polymer fuel tank
Wheelbase	3650 mm
Cabin	Tiltable and stylish sleeper cab with 4 point suspension and family Pegasus Look



Eicher Pro 8049 (6x4) HR continued its winning streak at Apollo CV Awards 2019

*Whichever is earlier. Enhanced Warranty on Engine, Transmission & Rear Axle only. T&C Apply

CAUTION: Do not weld or drill on chassis frame. Accessories, colour & features as shown in the picture or elsewhere may not constitute to standard fitment. As a result of continuous research & innovations carried out, specifications are merely indicative & are subject to change without notice. Weight mentioned is for standard configuration with standard body size & will change due to optional fitments.

EICHER TRUCKS AND BUSES
VE Commercial Vehicles Ltd.
96, Institutional Area,
3rd Floor, Sector 32
Gurgaon-122001, Haryana.

VE COMMERCIAL VEHICLES
A VOLVO GROUP AND EICHER MOTORS JOINT VENTURE

www.eichertrucksandbuses.com | [f](#) [y](#) [in](#) /Eicher Trucks and Buses | [t](#) @ETBIndia

Registered Office
CIN: U74900DL2008PLC175032
3rd Floor Select Citywalk,
A-3 District Centre, Saket,
New Delhi - 110017, India;
Email - info@vecv.in

Authorized Dealer